

OEMTech

*Excellence
Through
Innovation*

Oculux® Camera Mounts Product Guide



Document ID: G0044 – Oculux Camera Mounts

Read guide fully before commencing installation.
This guide must be present during time of install.
This guide is to be used in conjunction with training.

Distribution:

This document contains information which is proprietary to The Vehicle Group Limited (inclusive of its subsidiaries). It may not be reproduced, retransmitted, or otherwise distributed without prior written consent from The Vehicle Group Limited.

CONFIDENTIAL: TVG and Customer.

Document Change Control

Date	Version	Author	Approval	Changes
18/11/2024	V1.0	A. Barker	M. Blackburn	Initial Release
19/141/24	V1.1	A. Barker	M. Blackburn	Added More Mounts

Table of Contents

Legal Notices	Page 3
General Notices	Page 4
Introduction	Page 5
Aerocam	Page 6
Aerocam Curved Adaptor	Page 7
Aerocam Adjustable Angle	Page 8
Aerocam 30 Degree Angle	Page 9
Aerocam 15mm Spacer	Page 10
Aerocam 30mm Spacer	Page 11
Aerocam 60mm Spacer	Page 12
Pedestal Mount	Page 13
Pedestal Mount +/- 20° Wedge	Page 14
Medium Duty Pivot	Page 15
Heavy Duty Pivot	Page 16
Super heavy Duty Pivot	Page 17
Glass Camera Mount	Page 18
Wingarm Mount	Page 19
Bulkhead Mount	Page 20
About Us & Contact Information	Page 21

Legal Notice

Due care has been taken in creating the information contained within this guide, The Vehicle Group Limited does not and cannot guarantee the accuracy thereof. Anyone using the information contained in this document does so at their own risk, The Vehicle Group Limited will not indemnify for any injury or damage arising from such use.

This document is for use by the intended recipient, and contains confidential information under applicable law. You are hereby formally notified that any unauthorised use, copying or distribution of the document, in whole or in part, is strictly prohibited.

This publication supersedes and replaces all information previously supplied.

Trademarks

The Vehicle Group Limited logo and product names are trademarks of The Vehicle Group Limited and are protected by copyright law.

All rights reserved.

Intellectual Property

All intellectual property contained within this guide remains the property of The Vehicle Group Limited.

Copyright Notice

© Copyright 2024, The Vehicle Group Limited.

Introduction

Choosing the right camera mount is not just about securing the camera in place - it directly affects the quality of the video footage, the field of view, and the durability of the system.

This guide will show the different types of mounts available for our Oculux camera, giving technical information, and a brief description for each. All our Oculux mounting systems come with fixing kits to securely fit to the vehicle.

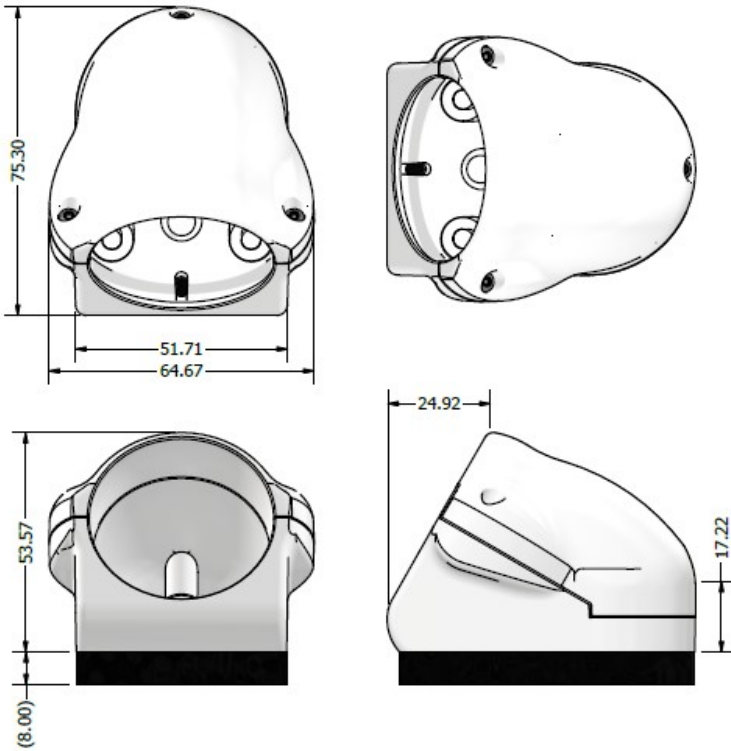
Along with the mounts in this guide we also have a variety of angled wedges, spacers, and brackets to ensure the perfect fit to any vehicle. For more information on these please speak to a member of our sales team.

All dimensions in this guide are in mm (unless otherwise stated).

Oculux Aerocam Mount

The Aerocam mount is designed to provide an aerodynamic mounting solution for our Oculux camera. It can be mounted in any orientation but is most commonly used on the side of a vehicle, looking rearward to cover blind spots. It can be adapted to the vehicle using a variety of spacers, angled wedges, and adjustable angled brackets. When assembling, the 2.5mm fixing screws should be tightened to 0.35nm.

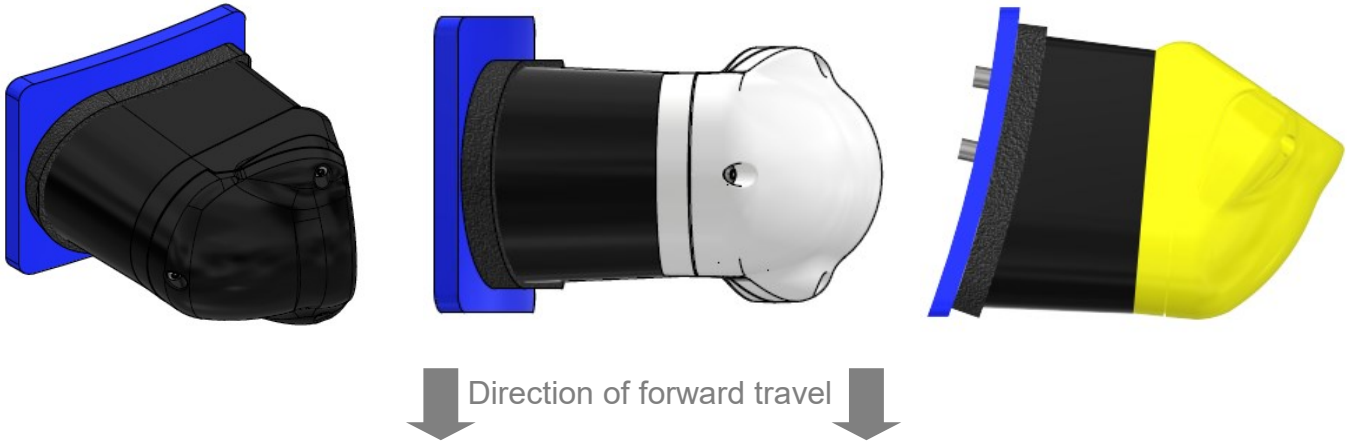
Aerocam mount is available in black, white, and yellow.



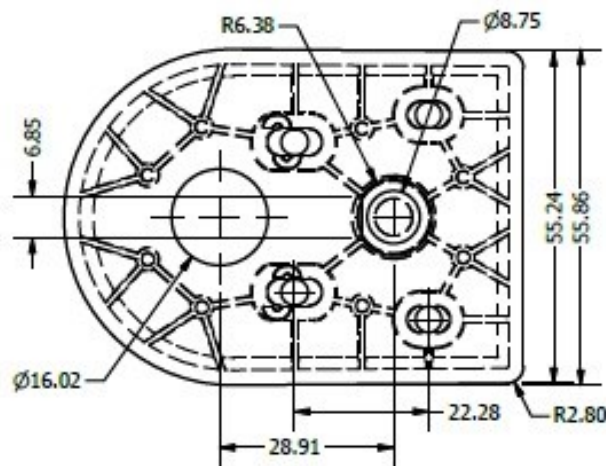
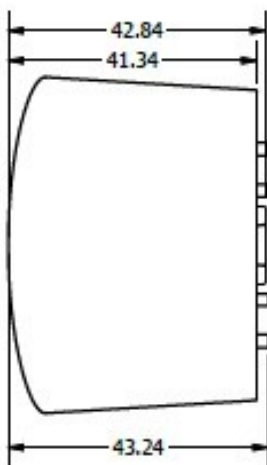
304155	Aerocam Mount Black
304547	Aerocam Mount Black Fixings Included
304156	Aerocam Mount White
304548	Aerocam Mount White Fixings Included
304337	Aerocam Mount Yellow
304546	Aerocam Mount Yellow Fixings

Aerocam Curved Adaptor

The Aerocam Curved Adaptor has been engineered to allow fitment of our Aerocam mount to the curved front corners of a HGV. This allows the camera to be placed closer to the front of the vehicle and extends it out from the body 30mm, therefore giving better view of the side blind spots. The mount can be used in other applications where a camera needs to be fitted to a curved surface.

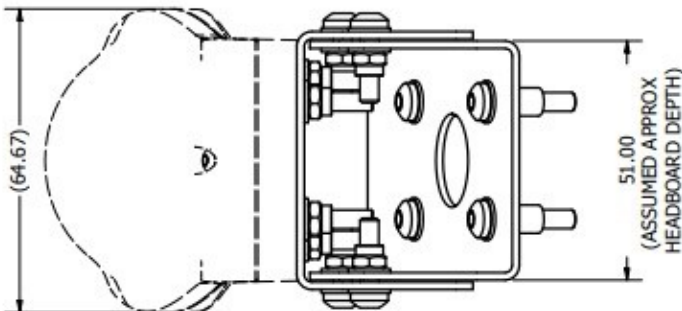
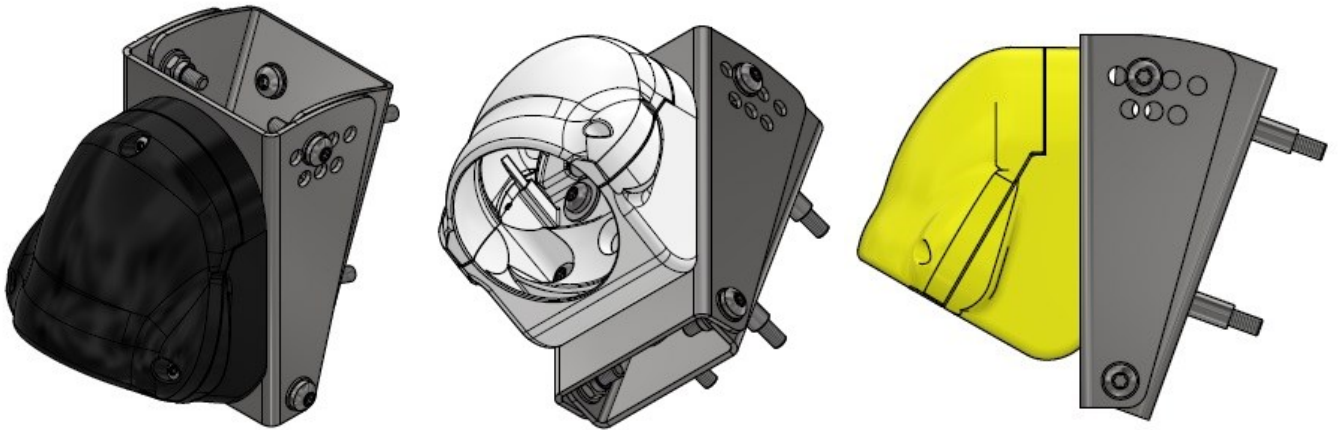


304711	30mm Curved Adaptor
305106	30mm Curved Adaptor with Black Aerocam
305107	30mm Curved Adaptor with White Aerocam
305108	30mm Curved Adaptor with Yellow Aerocam

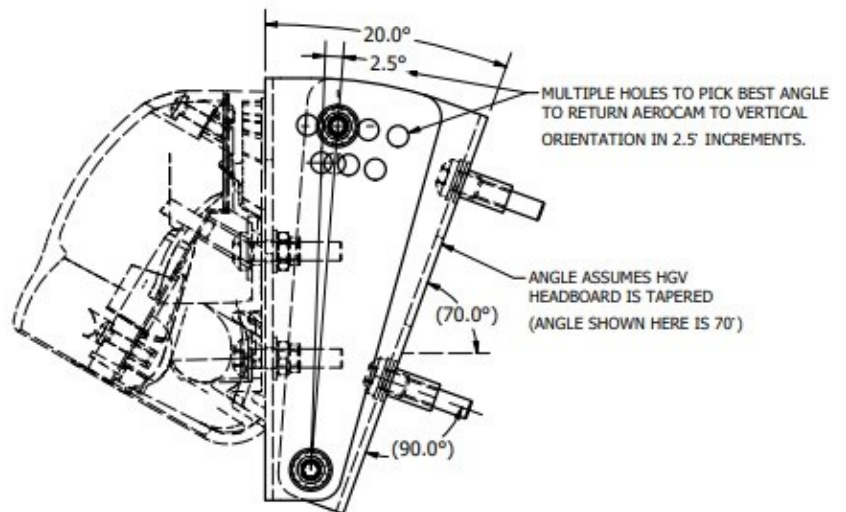
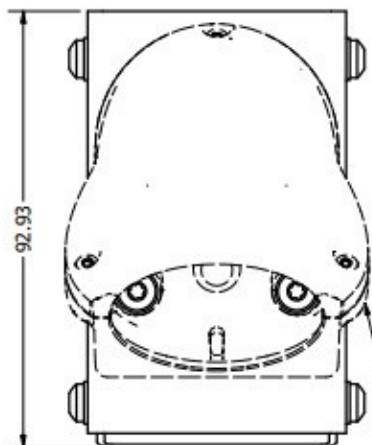


Aerocam Adjustable Angle Bracket

The Adjustable Angle Aerocam bracket is designed to fit our Aerocam mount on tapered HGV headboards or other angled mounting points. It allows up to 15° to 30° adjustment in 2.5° increments. Its made from stainless steel and can be mounted in any orientation.



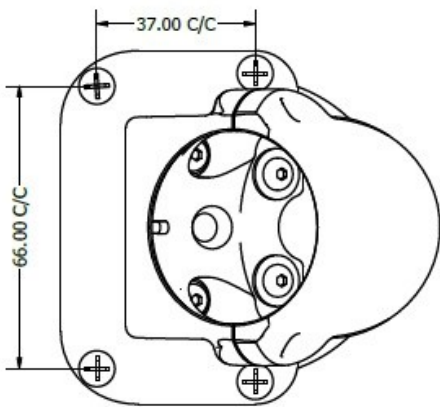
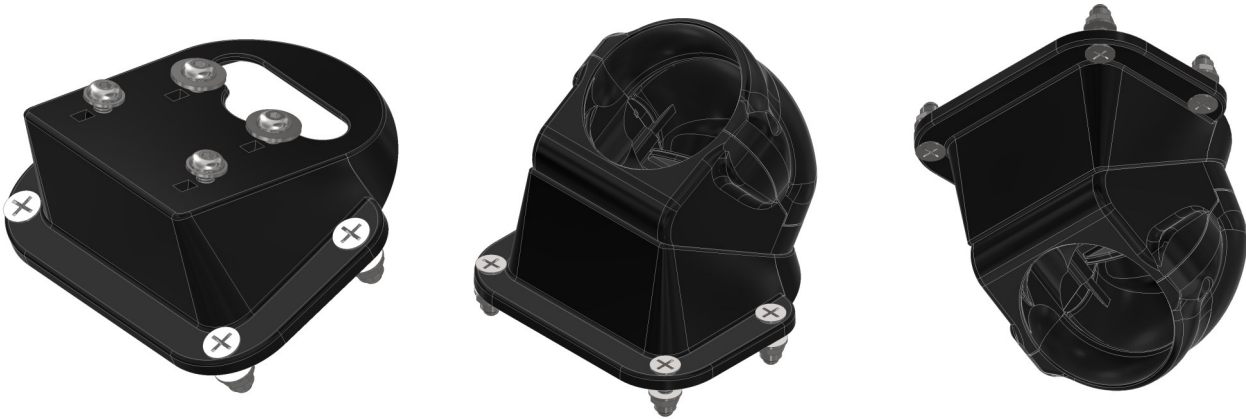
305081	Adjustable Angel Bracket - Black Aerocam
305082	Adjustable Angel Bracket - White Aerocam
305083	Adjustable Angel Bracket - Yellow Aerocam



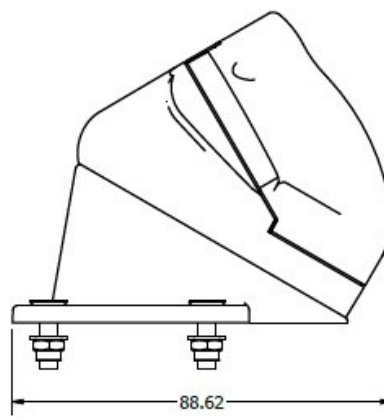
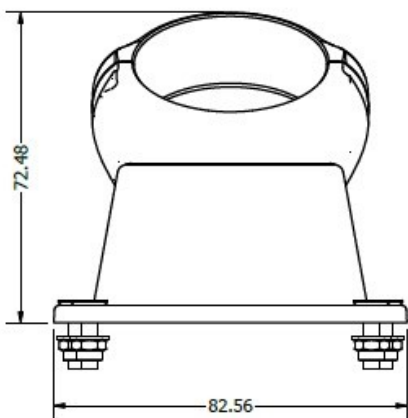
AEROCAM SHOWN FOR REFERENCE ONLY.
CHECK BOM/ SALES ORDER FOR COLOUR REQUIREMENT

Aerocam 30 Degree Angled Mount

The Aerocam 30 Degree Angled Mount is designed to provide a 30° angle for mounting the Aerocam. This solution allows the Aerocam to be used to meet unique installation requirements, for example as an interior CCTV camera on a vehicle.

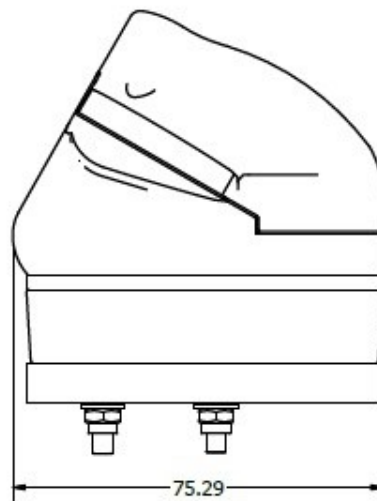
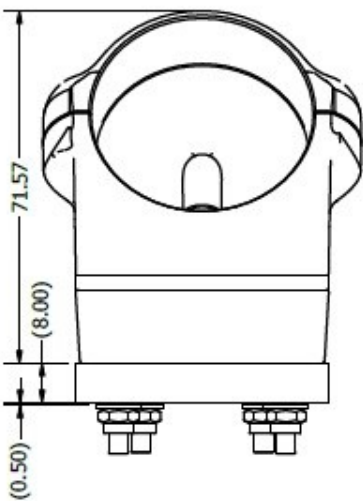
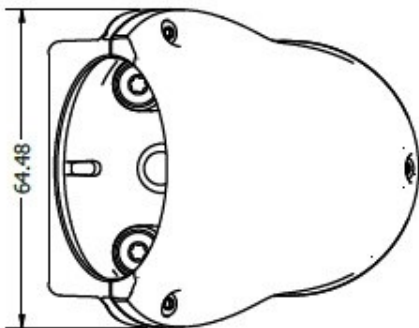
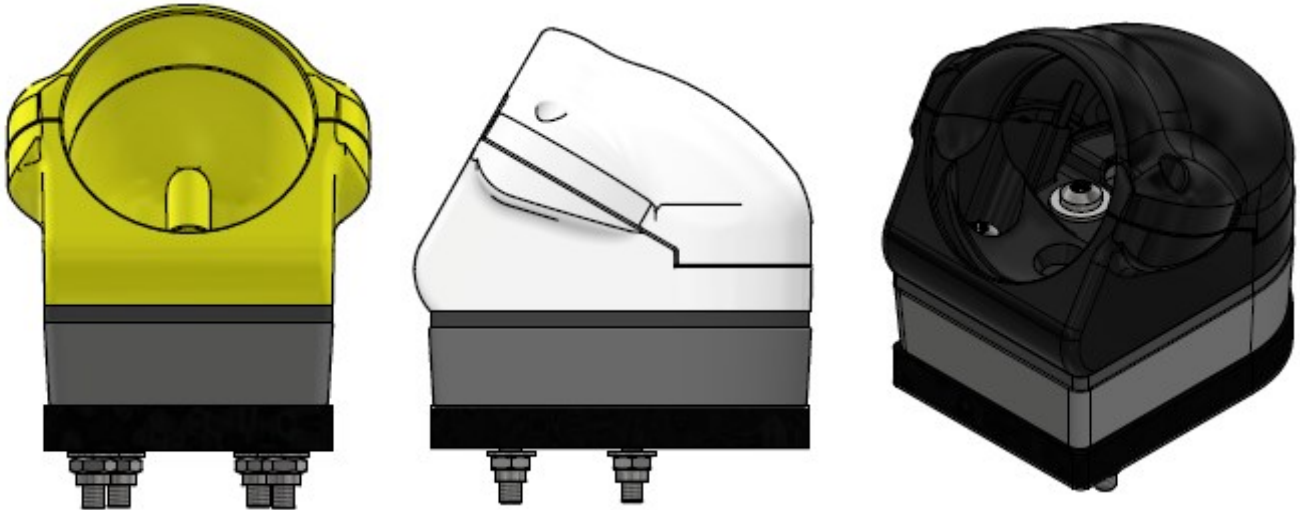


304974	30 Degree Angled Mount
304955	30 Degree Angled Mount with Black Aerocam



Aerocam 15mm Spacer

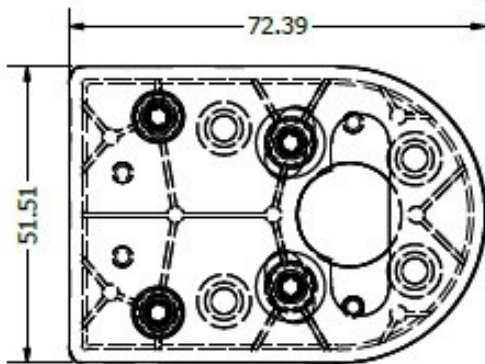
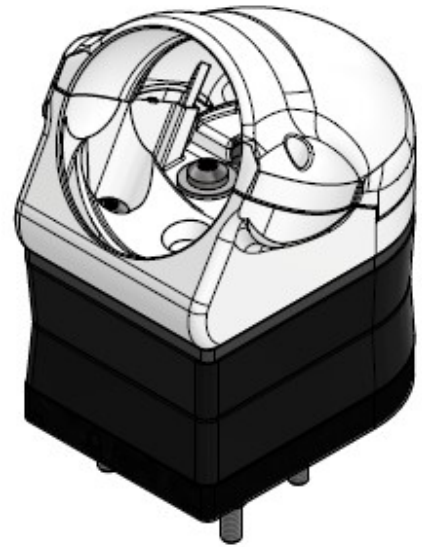
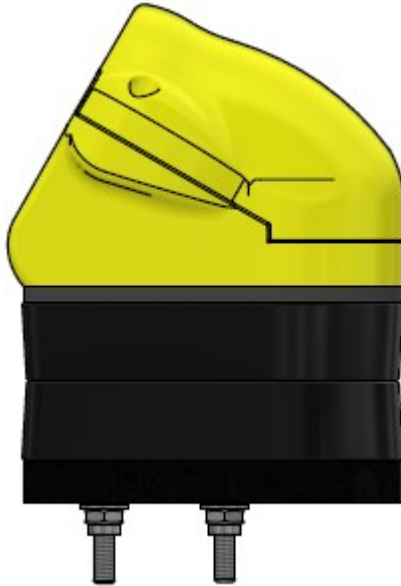
The Aerocam 15mm Spacer is engineered to position the Aerocam mount 15mm away from the vehicle body. The spacer is black.



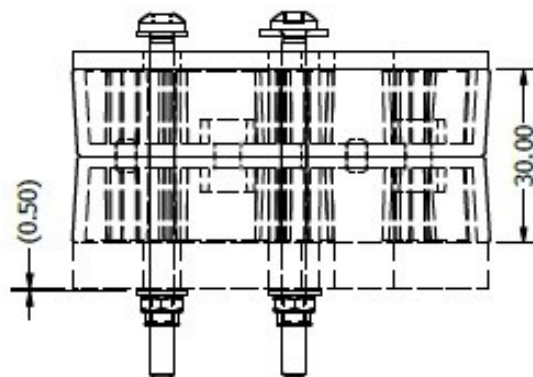
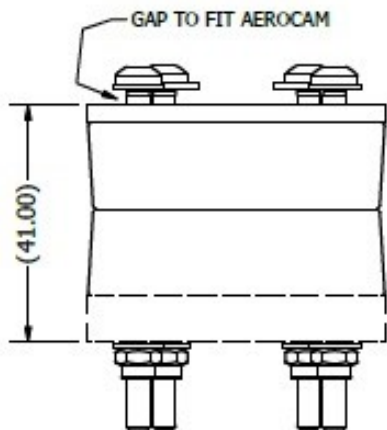
304263	Aerocam 15mm Spacer
304956	Aerocam 15mm Spacer with Black Aerocam mount
304957	Aerocam 15mm Spacer with White Aerocam mount
304958	Aerocam 15mm Spacer with Yellow Aerocam mount

Aerocam 30mm Spacer

The Aerocam 30mm Spacer is engineered to position the Aerocam mount 30mm away from the vehicle body. The spacer is black.

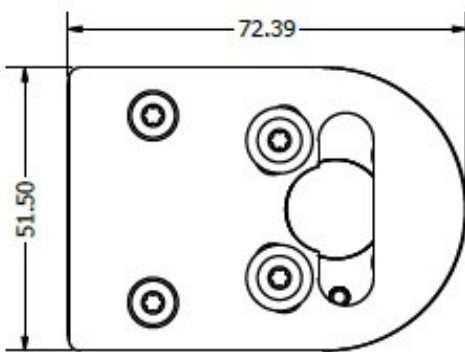
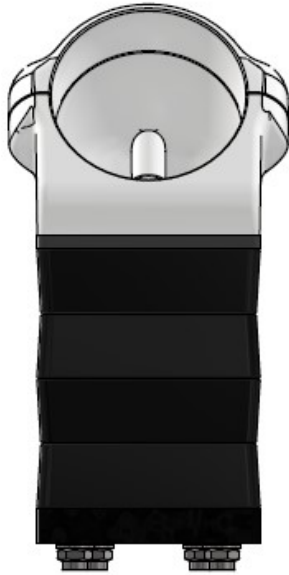


304020	Aerocam 30mm Spacer
304953	Aerocam 30mm Spacer with Black Aerocam mount
304935	Aerocam 30mm Spacer with White Aerocam mount
304934	Aerocam 30mm Spacer with Yellow Aerocam mount

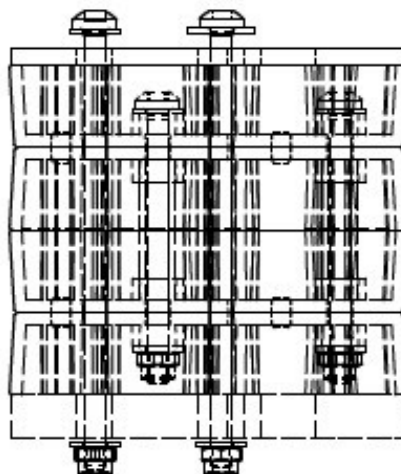
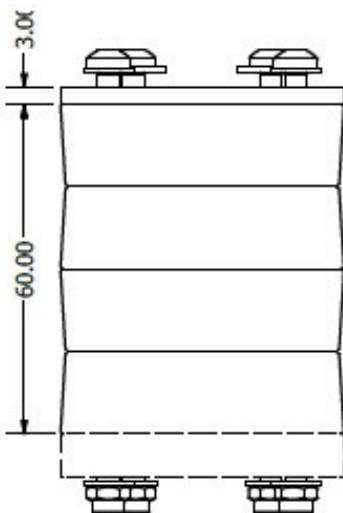


Aerocam 60mm Spacer

The Aerocam 60mm Spacer is engineered to position the Aerocam mount 60mm away from the vehicle body. The spacer is black.

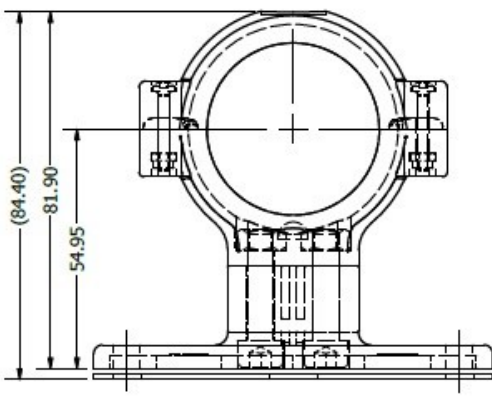
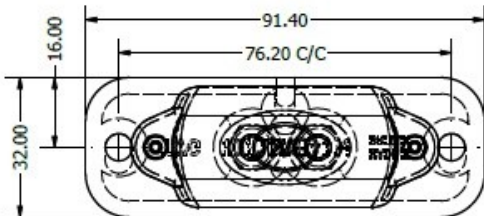


304035	Aerocam 60mm Spacer
304958	Aerocam 60mm Spacer with Black Aerocam mount
304959	Aerocam 60mm Spacer with White Aerocam mount
304960	Aerocam 60mm Spacer with Yellow Aerocam mount



Oculux Pedestal Mount

The pedestal mount is our most versatile mount and is also used in many other mount kits. The mount height can be increased from 40mm - 100mm by the use of spacers. It can be mounted in any orientation and can be supplied with angled wedges if required.

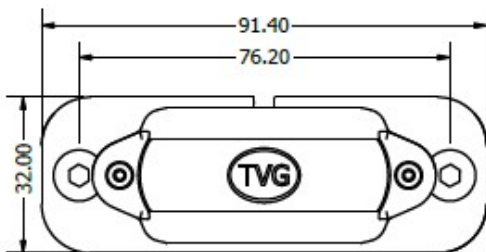
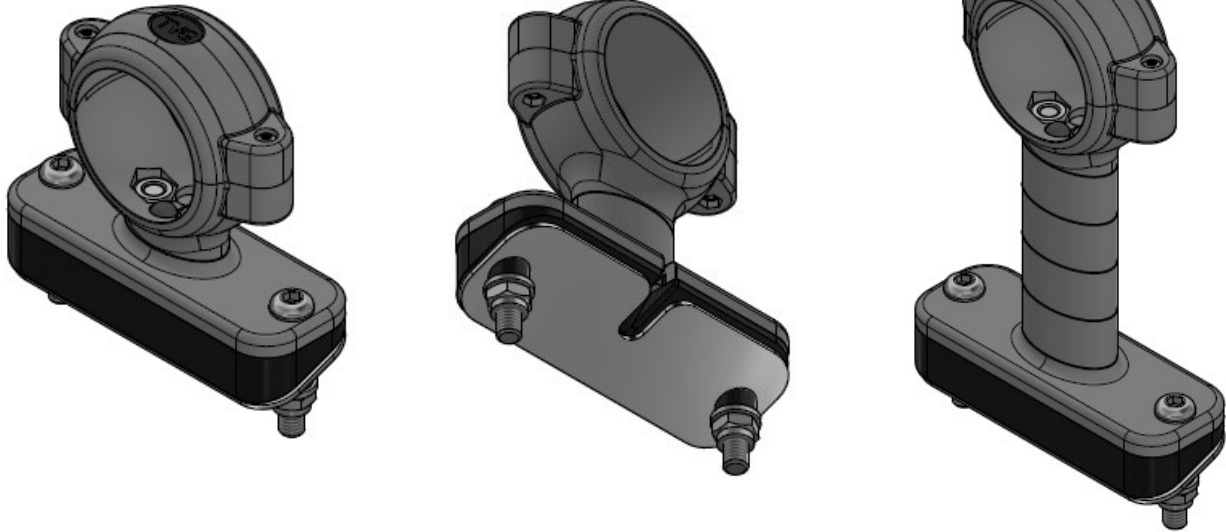


Pedestal 55mm shown

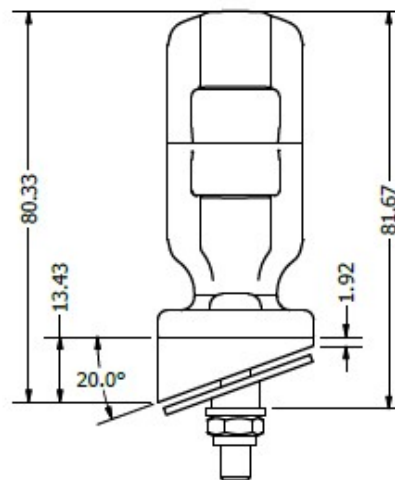
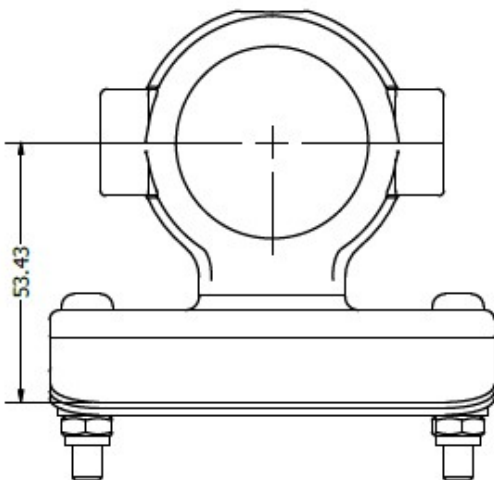
301935	Pedestal Mount 40mm
300928	Pedestal Mount 55mm
303090	Pedestal Mount 70mm
301906	Pedestal Mount 100mm

Pedestal +/- 20° Wedge

The Pedestal 20° Wedge has been engineered to give a +20° or -20° angle to the pedestal mount. It is compatible with all heights of the pedestal mount.

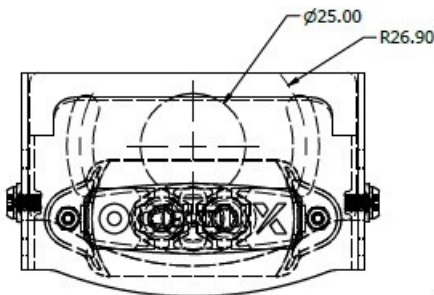


302364	Pedestal 40mm with +/- 20° Wedge
302365	Pedestal 55mm with +/- 20° Wedge
302367	Pedestal 70mm with +/- 20° Wedge
302369	Pedestal 100mm with +/- 20° Wedge

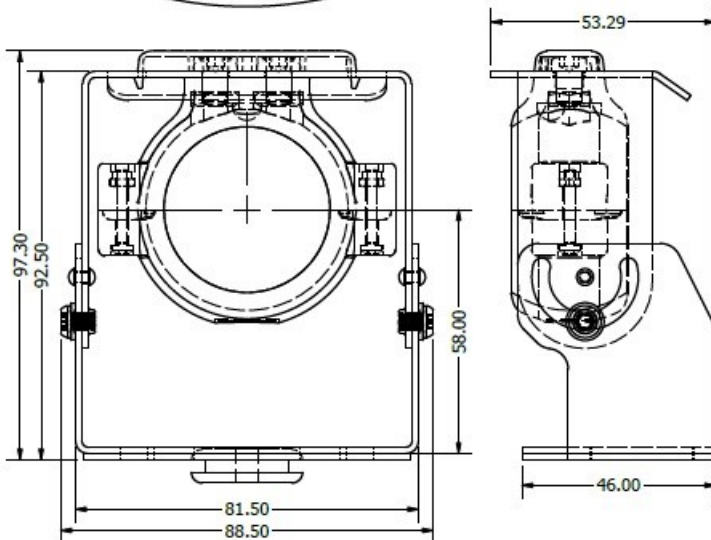


Oculux Medium Duty Pivot Mount

The Medium Duty Pivot Mount is designed to be used in locations where the camera may need some light protection from bumps and knocks. It is made from 1.5mm stainless steel and can be mounted in any orientation.

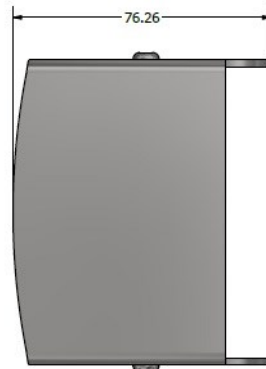


303405	Medium Duty Pivot Mount with Fixings
--------	--------------------------------------

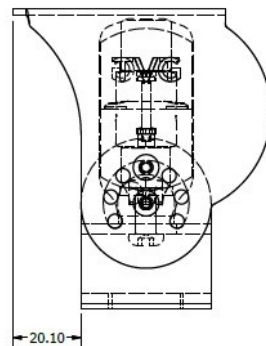
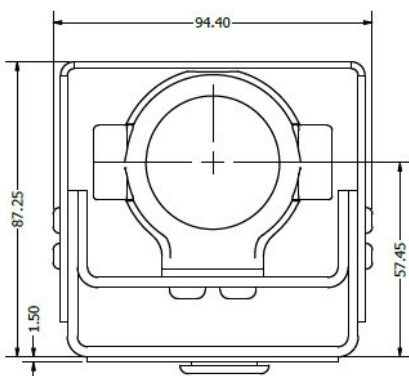


Oculux Heavy Duty Pivot Mount

The Heavy Duty Pivot Mount is designed to be used in locations where the camera may need some more robust protection from bumps and knocks. It is made from 2mm stainless steel and can be fitted in any orientation.

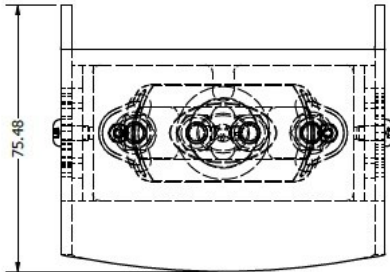
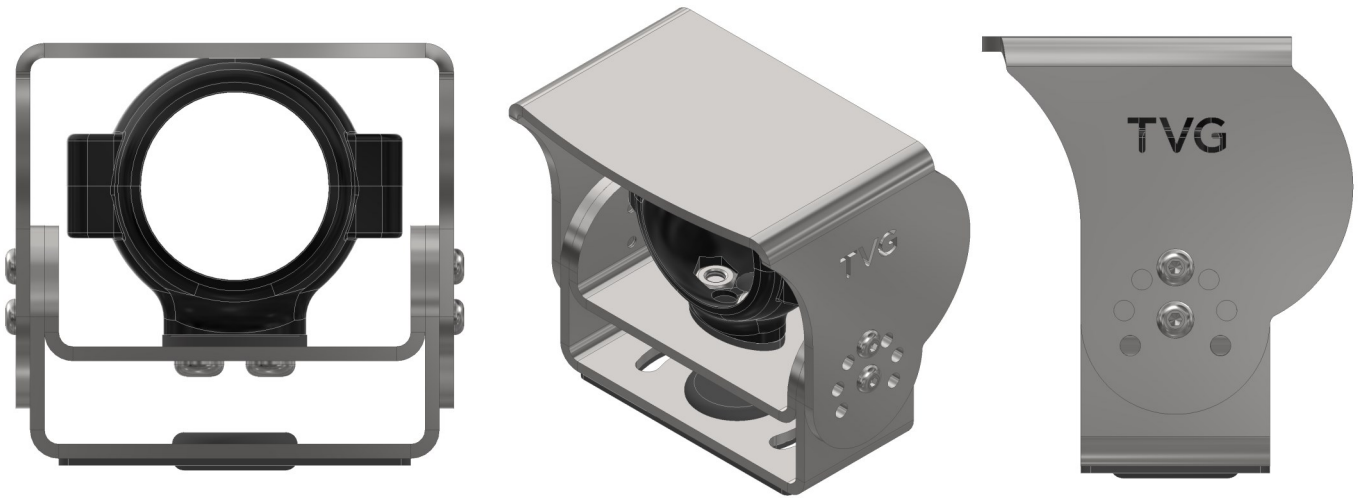


300947	Heavy Duty Pivot Mount
302370	Heavy Duty Pivot Mount with Fixings

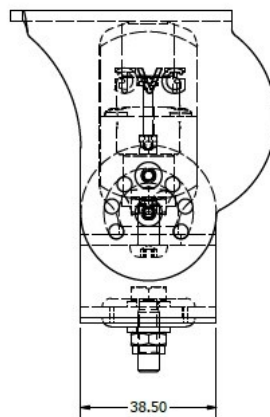
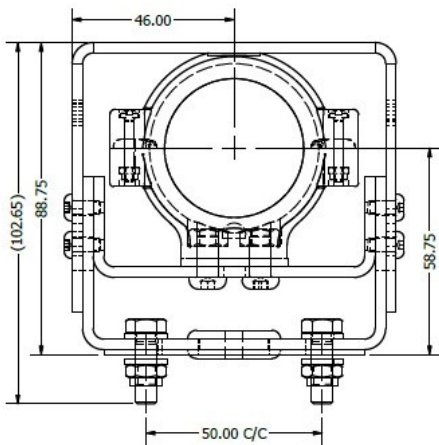


Oculux Super Heavy Duty Pivot Mount

The Super Heavy Duty Pivot Mount is designed to be used in locations where the camera needs significant protection from bumps and knocks. It is made from 3mm stainless steel and can be mounted in any orientation.

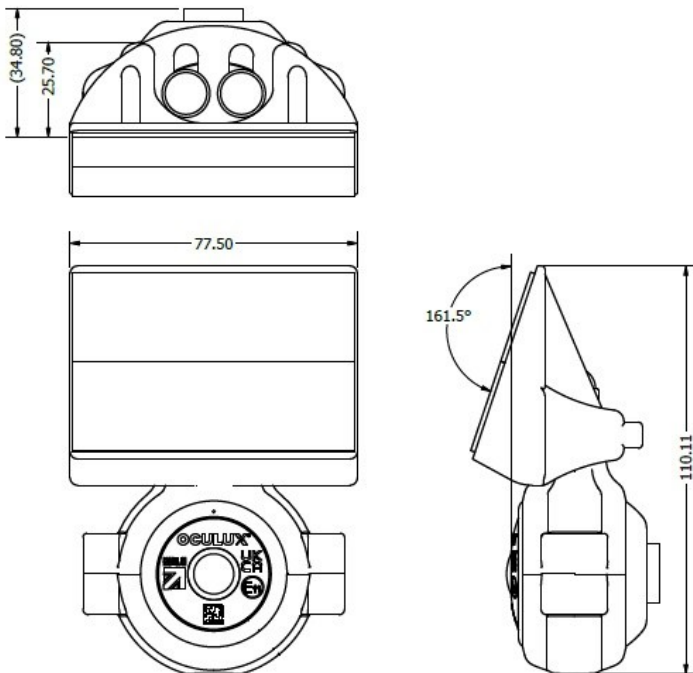


300374	Super Heavy Duty Pivot Mount
302371	Super Heavy Duty Pivot Mount with Fixings



Oculux Glass Camera Mount

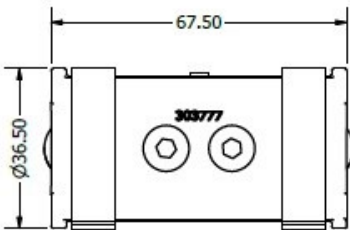
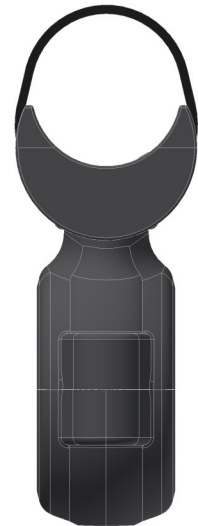
The Glass Camera Mount has been designed to allow our Oculux camera to be mounted to the interior side window of a vehicle. Strong self-adhesive pads are used to attach the mount to the inside of a glass window. It is currently 3D printed.



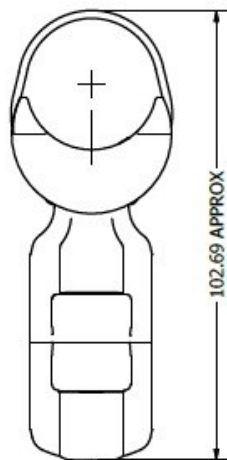
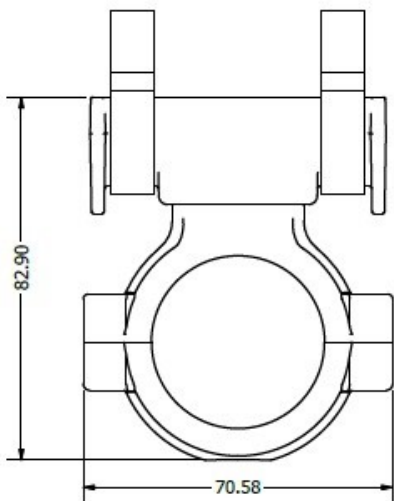
305093	Glass Camera Mount
--------	--------------------

Oculux Wingarm Mount

The Wing Arm Mount is designed to be fitted to a vehicle wing mirror arm, or other kind of cylindrical metal bar. It has a curved mounting face and is secured onto the mirror arm / bar with worm drive clips.

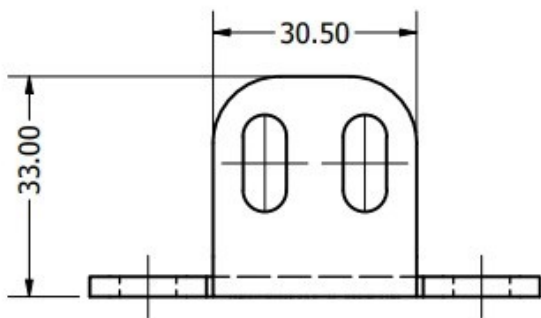
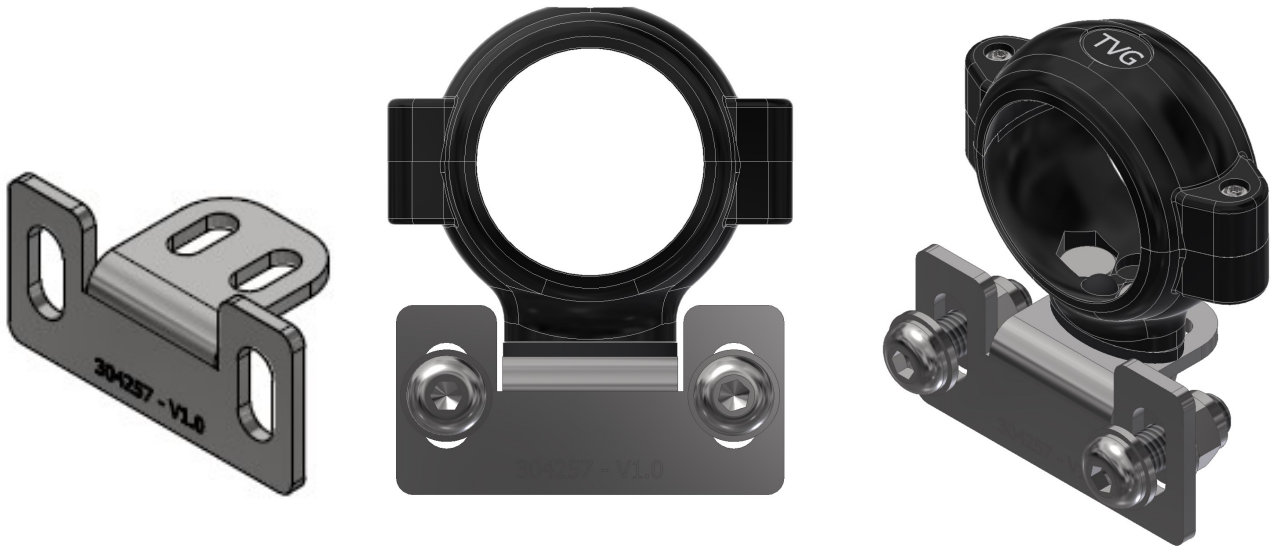


304108	Wingarm Mount
--------	---------------

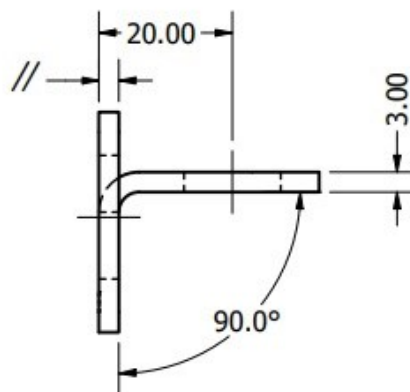
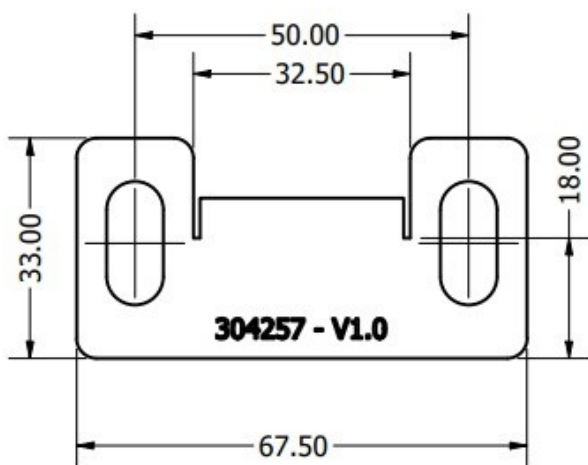


Bulkhead Mount

The Bulkhead mount is been designed to fix a pedestal mount to the rear bulkhead of a vehicle., but can be used in many other applications. It is made from 3mm thick stainless steel.



304261	Bulkhead Mount Kit (includes Pedestal)
--------	--



About Us

The Vehicle Group Limited (TVG) is a leading manufacturer of high quality safety and security systems for commercial vehicles. Our facility in North Yorkshire, where we have circa 100 employees, is home to our design, manufacturing, engineering, and service centre. We are especially proud of our market leading, British engineered and manufactured CCTV solution Oculux®, which is used Worldwide.

Our technology's include:

- Oculux® Cameras.
- Automotive CCTV.
- CANbus Readers.
- Commercial Vehicle Announcement System (CVAS).
- Vehicle Solar Systems.
- Cable Harness Design & Manufacture.
- Electronic Design & Manufacture.
- Systems Development.

Useful Contacts

Sales and Account Management Team

Telephone: 03450 60 50 40

Email: sales@tvg.uk

Technical Support

Telephone: 03450 60 50 40

Web: <https://support.tvg.uk/>

Email: support@tvg.uk

Service and Installation Centre

Telephone: 03450 60 50 40

Email: service@tvg.uk

1 Target
Chartermark Way
Colburn
North Yorkshire
DL9 4QJ

Tel: +44 (0) 3450 60 50 40

Email: info@tvg.uk

Web: www.thevehiclegroup.com